

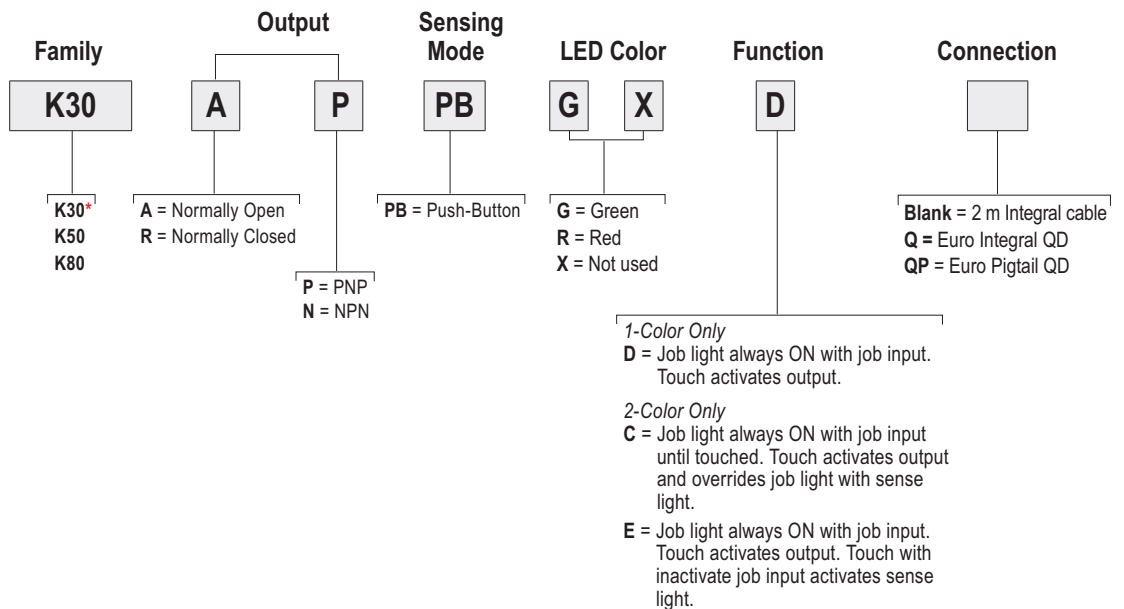


# Push Button EZ-LIGHT® K30, K50 & K80


- Requires no external controller to operate; completely self-contained
- Indicates job pick status with 30 & 50 mm translucent dome containing one, two or three colored lights
- Shows correct order for selecting parts using a green job light in all models
- Models available with a red light to indicate detection of operator action or mispick
- Models available with 30 mm, Flat or DIN-rail mounting
- Ideal for use in abusive environments—fully encapsulated IP67 construction; some models rated to IP69K depending on installation
- QPMA model options also available

## K30, K50 & K80 One or Two-Color Model Key, 12-30 V DC Example Model Number K30APPBGXD

- Job light is ON at all times while job input is active.
- Pressing push-button initiates output change of state.

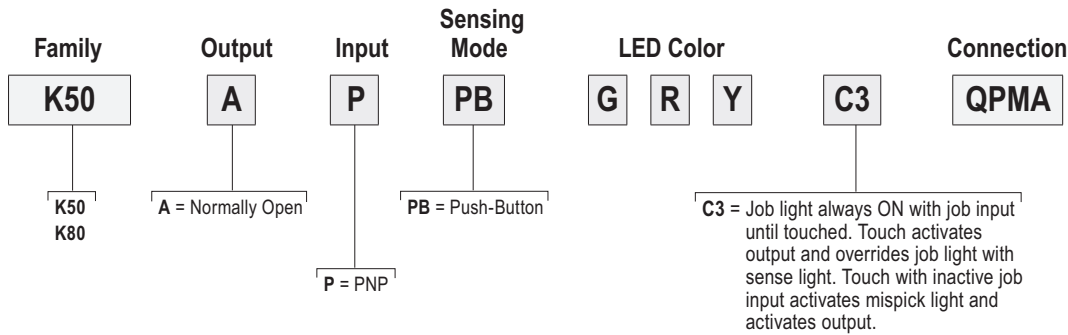


\* K30 models only available with Normally Open PNP output

 **Connection options:** A model with a QD requires a mating cordset (see page 644).

## EZ-LIGHT® K50 & K80 Three-Color C-Series Model Key, 12-30 V DC

- Job light is ON at all times while job input is active (unless hand is present)
- Presence of hand (or pressing button) activates output and turns job light Yellow for visual verification that action was sensed
- Presence of hand (or pressing button) while job input is not active turns light Red signaling mispick

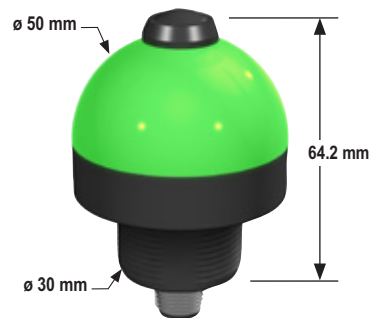


\* K30 models only available with Normally Open PNP output

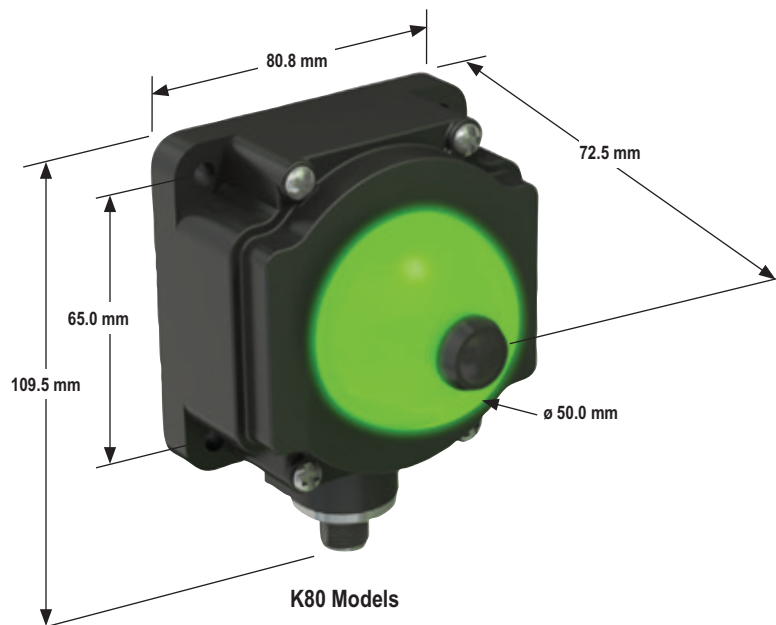
Connection options: A model with a QD requires a mating cordset (see page 644).



K30 Push Models



K50 Push Models





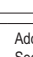
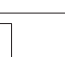



K80 Models

**Cordsets**

**Euro QD (for Q5 models)**

See page 908

Length	Straight		Right-Angle	
	4-Pin	5-Pin	4-Pin	5-Pin
1.83 m	 MQDC-406	MQDC-506	 MQDC-406RA	MQDC-506RA
4.57 m	 MQDC-415	MQDC-515	 MQDC-415RA	MQDC-515RA
9.14 m	 MQDC-430	MQDC-530	 MQDC-430RA	MQDC-530RA

 Additional cordset information available. See page 904.

**Brackets**

**K50**


**K30**

See page 869


See page 869

See page 870

SMB30A	SMB30FA..	SMB30SC	SMB22A
			

 Additional bracket information available. See page 846.

## K30, K50 & K80 Specifications

<b>Supply Voltage and Current</b>	12 to 30 V dc, (10% max. ripple)
<b>Supply Protection Circuitry</b>	Protected against reverse polarity and transient voltages (fast transient and over-voltage) and reverse polarity
<b>Output Configuration</b>	PNP or NPN (depending on model)
<b>Output Rating</b>	150 mA max. <b>C3 models:</b> <b>ON-state saturation voltage:</b> <b>PNP models:</b> Less than 2 V @ 10 mA dc; less than 2.5 V @ 150 mA dc <b>NPN models:</b> Less than 1.5 V @ 10 mA dc; less than 2 V @ 150 mA dc <b>OFF-state leakage current:</b> Less than 10 $\mu$ A @ 30 V dc <b>All others:</b> <b>OFF-state leakage current:</b> Less than 10 $\mu$ A @ 30 V dc <b>ON-state voltage:</b> less than 2 V @ 10 mA dc; less than 2.5 V @ 150 mA dc
<b>Output Protection Circuitry</b>	Protected against false pulse on power-up and continuous overload or short circuit of output
<b>Output Response Time</b>	<b>C3 models:</b> 5 milliseconds ON/OFF <b>All others:</b> 3 milliseconds ON/OFF
<b>Indicators</b>	<b>C3 models:</b> Entire translucent dome provides indicator light. <b>Job ("Pick") indicator</b> —Green <b>Pick Sensed indicator</b> —Yellow <b>Mispick indicator</b> —Red  <b>All others:</b> Entire translucent dome provides indicator light; either Job or Pick Sensed indicator inhibits the other light, depending on model. <b>Job ("Pick") indicator</b> —Green <b>Pick Sensed indicator</b> —Red or OFF, depending on model
<b>Job Light Enable Input</b>	<b>Input impedance:</b> 8000 $\Omega$ <b>Sinking</b> —Input low less than 1.5 V <b>Sourcing</b> —Input high greater than 7 V
<b>Construction</b>	<b>Base and translucent dome:</b> polycarbonate <b>Lens:</b> polycarbonate or acrylic <b>Push Button:</b> thermoplastic
<b>Environmental Rating</b>	Fully encapsulated; IEC IP67 <b>Integral QD models:</b> IP69K when using IP69K-rated cordsets <b>Pigtail and cable models:</b> IP69K when mounted with conduit
<b>Connections</b>	<b>C3 models:</b> 5-pin 150 mm PUR pigtail Euro-style QD ( <b>QPMA</b> ). QD cordsets are ordered separately. See page 644. <b>All others:</b> 2 m or 9 m 4-wire attached cable, 4-pin integral Euro-style QD ( <b>Q</b> ) or 4-pin 150 mm PVC pigtail Euro-style QD ( <b>QP</b> ), depending on model. QD cordsets are ordered separately. See page 644.
<b>Ambient Light Immunity</b>	Up to 5,000 lux
<b>EMI/RFI Immunity</b>	Immunity to EMI and RFI noise sources per IEC 947-5-2
<b>Operating Conditions</b>	<b>Temperature:</b> -40° to +50° C <b>Relative Humidity:</b> 90% at 50° C (non-condensing)
<b>Certifications</b>	<b>K30, K50 &amp; K80:</b> 
<b>Hookup Diagrams</b>	<b>1- &amp; 2-color models:</b> LI01 (p. 1001) <b>3-color models:</b> LI02 (p. 1001)